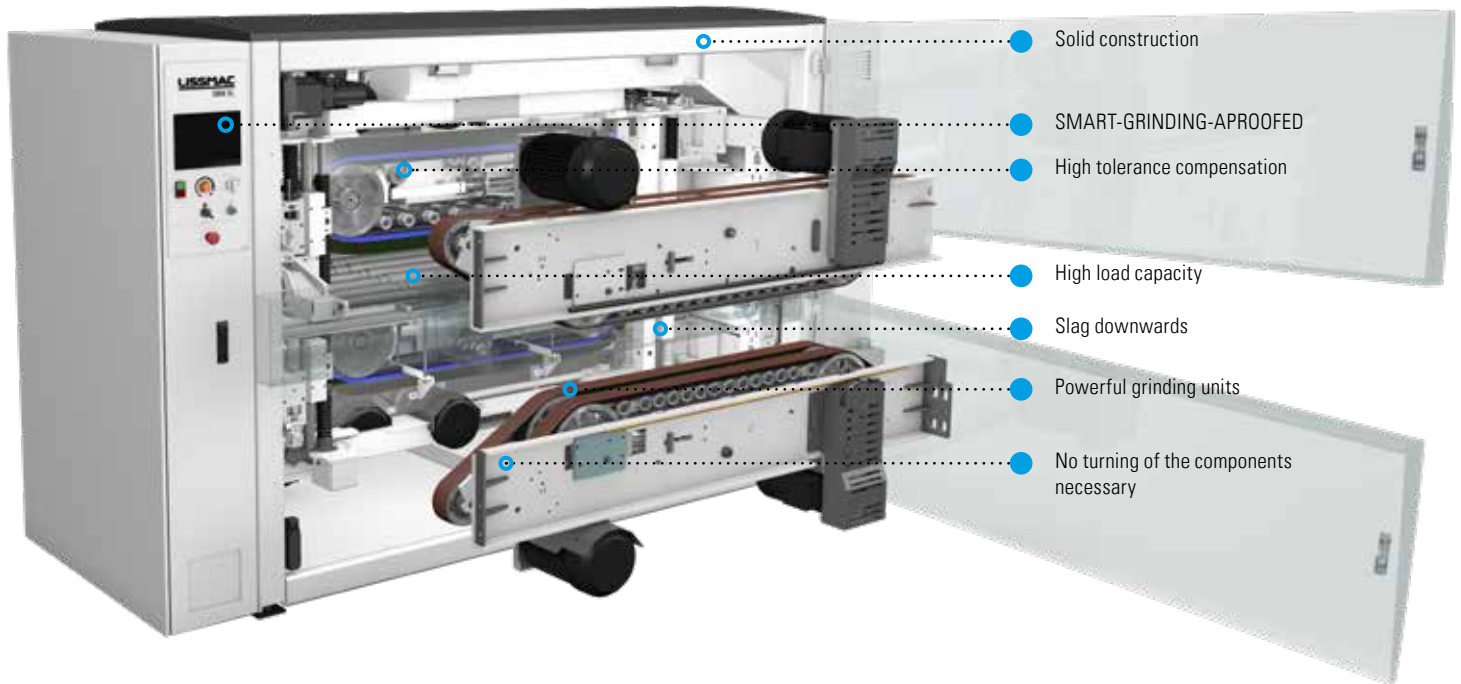


DEBURRING AND EDGE ROUNDING ON BOTH SIDES IN ONE OPERATION



- Solid construction
- SMART-GRINDING-APROOFED
- High tolerance compensation
- High load capacity
- Slag downwards
- Powerful grinding units
- No turning of the components necessary

FURTHER INFORMATION:



TECHNICAL DATA	SBM-XL 1500 G2S2
Working width max.	1500 mm
Workable material thickness	0.5 - 120 mm
Load	300 kg/rm
Voltage	400 V, 50 Hz / 480 V, 60 Hz
Network structure	3-PEN / 3-PE+N
Total current consumption	102.7 A / 89.5 A
Total power	49.8 kW / 49.6 kW
Insulation class	IP 42
Infinitely variable feed speed	0-4 m/min
Weight	4200 kg
Dimensions (W/D/H)	3600/2100/2000 mm

- Edge rounding and oxide removal of laser cut parts
- Two-side edge rounding and oxide removal saves the cost intensive turning of often very heavy workpieces or machining of parts twice
- Consistent edges on all outside and inside contours
- Dry operation
- Simple, intuitive operation
- The processing units can be individually adjusted or turned on and off electrically.
- Maximum productivity while maintaining processing quality
- The cross-processing principle guarantees optimum tool utilisation over the entire working width.
- Faster and simpler tool change within just a few minutes
- Modular and compact in modern machine design - smaller footprint
- Improved work environment - Reduction of dust, dirt and noise
- For repeated customer requirements, processing parameters can be called up quickly and easily through predefined programs.
- Up to 60 % work time savings compared to one-side processing grinding machines



before



after

OPTIONS



[1]



[2]



[3]



[4]

[1] Bar code scanner for SBM

[2] Wireless thickness caliper ME 5000

[3] ID-key switch

[4] Camera system

Tool wear compensation

Special molding for processing of small parts